

Compressor Remanufacturing



Wabtec Global Services (WGS) provides quality, cost effective remanufactured compressors, compressor drive motors and components. Backed by a performance warranty for parts and workmanship, our remanufactured compressors and component parts meet or exceed stringent OEM quality standards.

Wabtec Global Services Cuts Costs Without Compromising Quality

Building on Wabtec Corporation's 130 years of experience in compressor research, design and production, Wabtec Global Services cost effectively remanufactures compressors to meet the same high standards of quality and reliability as Wabtec's original equipment at a fraction of the cost. In addition, our skilled specialists can breathe new life into your Gardner Denver water cooled units by restoring them to OEM standards or by improving their performance and reliability through our value added upgrades. WGS' AAR M-1003 certified facilities are strategically located throughout North America to better serve you.

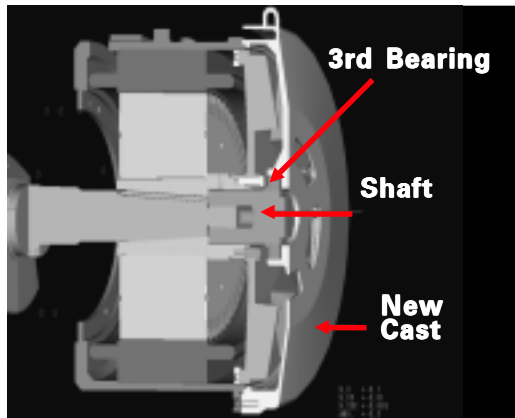
Repair Kits & Spare Parts

To expedite repair work and reduce compressor downtime, Wabtec Global Services offers a full line of replacement parts and devices. Whether you need something as basic as a dipstick or as comprehensive as a complete overhaul kit, we've got it! Additionally, Wabtec Global Services can build parts kits to your specifications; whenever you need to order more kits, just refer to your custom kit number.

Compressor Motor Repair

Did you know that WGS can repair your compressor drive motor? Wabtec Global Services' skilled professionals know best how to restore performance to your compressor motor.

Compressor Motor Upgrade¹



Wabtec Global Services can virtually eliminate compressor drive motor failure through our GY28A 3rd Bearing Upgrade. Essential for proper motor operation, WGS' upgrade ensures a constant uniform air gap within the drive motor and effectively prevents failure of the motor assembly.

For additional information on compressor upgrades, please see the reverse of this page.

¹US Patents: 6,376,950; 6,419,465; 6,659,739; 6,447,267

To learn more, call 1-877-922-2627 or visit www.wabtecglobalservices.com.

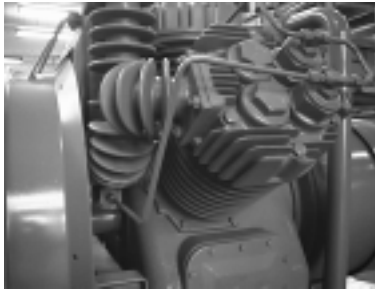
©2005 Wabtec Corporation

Many older compressors do not possess today's advanced features. Wabtec Global Services offers a variety of upgrades to aid in the performance and reliability of your equipment. Upgrade options include the following:

Thermostatically Controlled Intercooler System² (TCIS)

Eliminate condensation in the intercooler with WGS' Thermostatically Controlled Intercooler System designed for motor driven compressors. Backwards compatible, TCIS prevents intercooler freeze up during operation in extremely cold temperatures and restricts condensation from entering the lube oil during the intercooling process.

Rapid Unloader³



Enhance compressor reliability by venting intercooler pressure faster with WGS's Rapid Unloader upgrade. Rapid Unloader protects the compressor motor by making it easier to start by reducing the time interval for release from approximately 30 seconds to release in under two seconds. Additionally, Rapid Unloader eliminates the manual intercooler draining procedure by automatically releasing intercooler moisture to deter component corrosion.

Aftercooler⁴

Precipitate moisture from your compressed air system with the WGS' cost effective Aftercooler upgrade. Performance tests indicate up to 90% moisture removal and a temperature drop of up to 250°F can be attained resulting in cooler, dryer, safer air.

Single-piece Molded Fan

Protect your compressor from overheating and unnecessary wear and tear with WGS' single-piece molded fan upgrade. Unlike fans with individually attached blades which exhibit a high occurrence of blade breakage, WGS' virtually indestructible, single-piece molded fan significantly reduces the possibility of compressor downtime related to fan breakage.



Cold Temperature Bypass⁵



Protect your compressor from extremely cold conditions with WGS' Cold Temperature Bypass upgrade. The WGS Cold Temperature Bypass upgrade utilizes heat from the compressor to eliminate freezing condensate in the compressor's piping to the main reservoirs and is maintenance free.

Advanced Lubrication Systems

Spin-on Oil Filter: Improve the life of your compressor's lube oil and lubricated components by filtering particulates down to 10 microns with Wabtec Global Services spin-on oil filter.

Gear Drive Oil Pump: Provide constant uniform oil pressure to help ensure the long-term reliability of your Gardner Denver compressor by maintaining sufficient lubrication to all bearings and wear points with WGS' positive displacement gear drive oil pump.

²US Patents: 6,305,313; 5,885,060 ³ US Patent: 6,203,285 ⁴ US Patent: 5,106,270 ⁵ US Patents: 6,644,934; 6,283,725

To learn more, call 1-877-922-2627 or visit www.wabtecglobalservices.com.